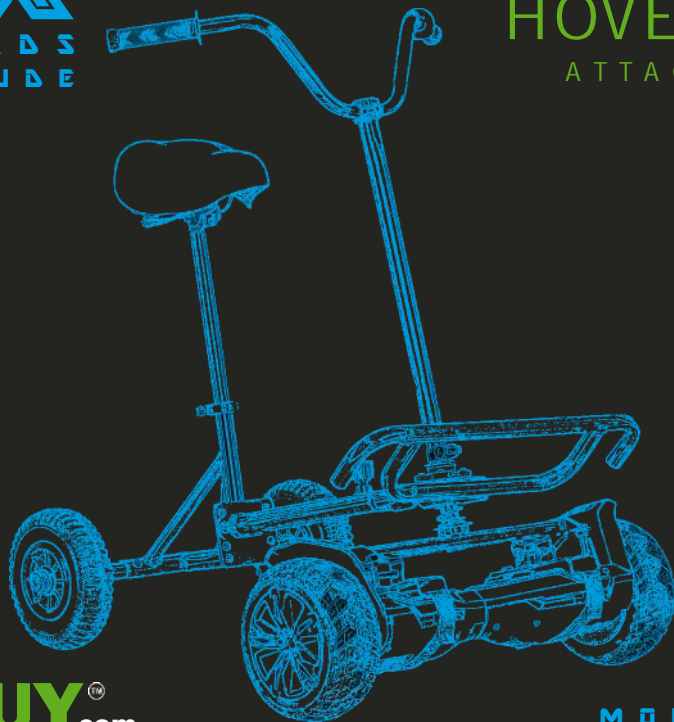


ZIMXTM
HOVERBOARDS
WITH ATTITUDE



BK2
HOVER BIKE
ATTACHMENT

UKBIGBUYTM.com
Saving you money every day

MOVEMENT
WITH ATTITUDE



Operational Manual : BK2

IMPORTANT: KEEP FOR FUTURE REFERENCE

**Images used in this manual may vary slightly from the product and are for reference purposes only.*

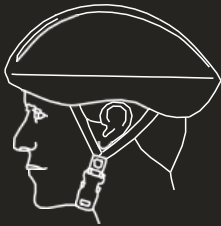


Even if you have ridden a scooter for years, it is important for you and every rider to read this manual before using this product.

 **WARNING**

HELMETS SAVE LIVES!

Always wear a properly fitted helmet that complies with CPSC or CE safety standards when you ride your scooter.



Correct Fitting:
Make sure your helmet covers your forehead.



Incorrect Fitting:
Forehead is exposed and vulnerable to serious injury.

INTRODUCTION

This manual is designed to give you the information you need for the safe operation and maintenance of your new ZIMX BK2 Hover Bike. Please read it thoroughly before riding your BK2 Hover Bike.



WARNING

Make sure you read this complete manual before riding your BK2 Hover Bike. Failure to do so, or failure to follow its guidelines could lead to serious injury or death.

Section One of this manual involves safety and ZIMX BK2 Hover Bike. Understanding and following this Information will help you and your ZIMX BK2 Hover Bike avoid injury or damage.

Section Two of this manual gives assembly and installation instructions for your ZIMX BK2 Hover Bike.

Section Three of this manual covers specific safety and operating instructions for your ZIMX BK2 Hover Bike. Even if you are an experienced rider, you should review this section before your rst ride.

Section Four of this manual covers warranty specifications of your ZIMX BK2 Hover Bike.

ZIMX BK2 HOVER BIKE DIAGRAM

1. Seat
2. Handle Bars
3. Shock Absorbing Spring
4. Pedal Mounts
5. Hook and Loop Straps
6. Seat Frame
7. Adjustment knob
8. Frame Extension
9. Wheels
10. Seat Pole
11. Foot Rest



SPECIFICATIONS

Compatibility:
Max Load:
Max Speed:
Wheel Size:
Seat Material:

Most self-balancing electric scooters upto 10" wheels
See max load of your self-balancing scooter
See max speed of your self-balancing scooter
8.5"
PU + Foam

MEASUREMENTS



**BOTH ADULTS & CHILDREN
CAN USE IT**

PLEASE PAY ATTENTION









TO THE MAXIMUM LOAD OF YOUR BALANCE BOARD

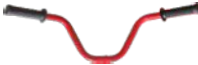



**WEIGHT CAPACITY
100KG**



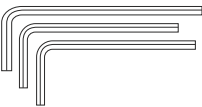
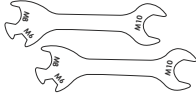
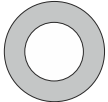
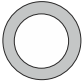

PARTS LIST

	(1) Seat
	(1) Seat pole
	(1) Seat Frame
	(1) Frame Extension
	(1) Extension Tube
	(1) Wheels Bar
	(1) Foot Rest
	(1) Handlebar Rod

	(1) Handlebar
	(1) Pedal Mount Frame

NOTE - Some of the parts have been added to the product to reduce the steps required for assembly and reduce installation time.

ACCESSORIES LIST

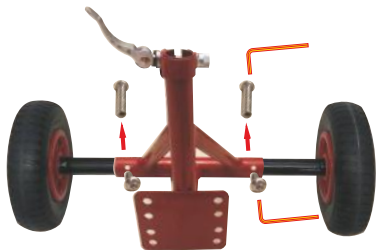
	(1) Allen key / Wrench Set, 3 items
	(1) Wrench / Spanner Set, 2 items
	(2) Large Washer
	(1) Small Washer
	(1) Spring

	(1) Long Neck Plastic Tube
	(1) Short Neck Plastic Tube
	(2) Bolt Screw M10 (2) Locking Nuts M10
	(2) Wheel Frame Screws Set
	(4) Rubber Pedal Mount Ends
	(1) Adjustment Knob
	(2) Hook and Loop Straps

NOTE - Some of the parts have been added to the product to reduce the steps required for assembly and reduce installation time.

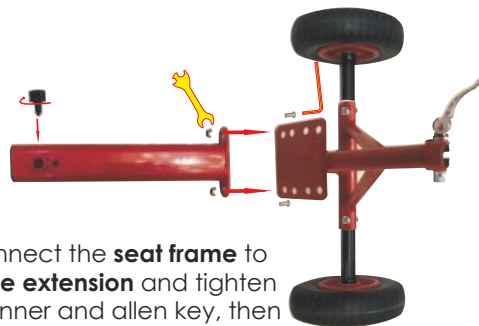
ASSEMBLING YOUR ZIMX BK2 HOVER BIKE

1



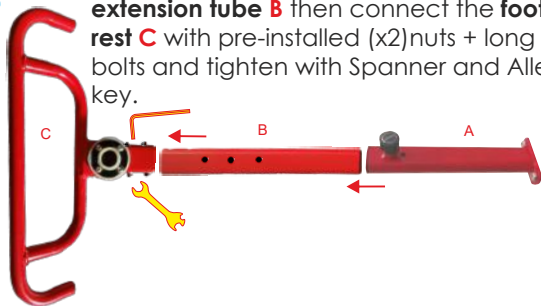
Connect the **seat frame** to the **wheels bar** and using the **wheel frame screws** tighten together using the allen keys.

2



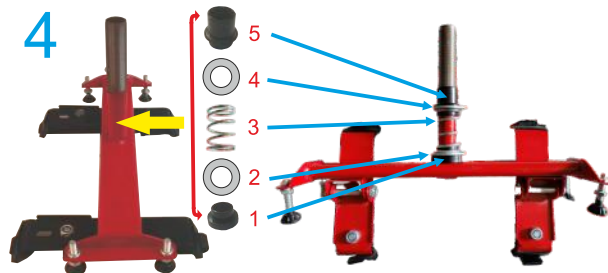
Next connect the **seat frame** to the **frame extension** and tighten with spanner and allen key, then insert the adjustment knob.

3



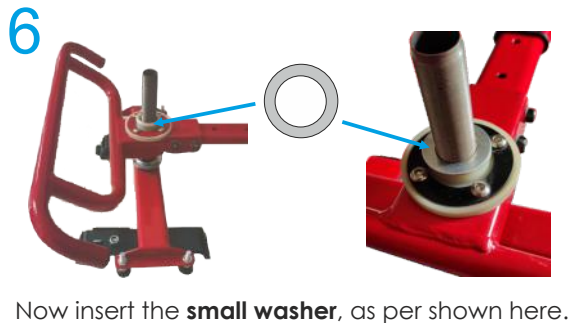
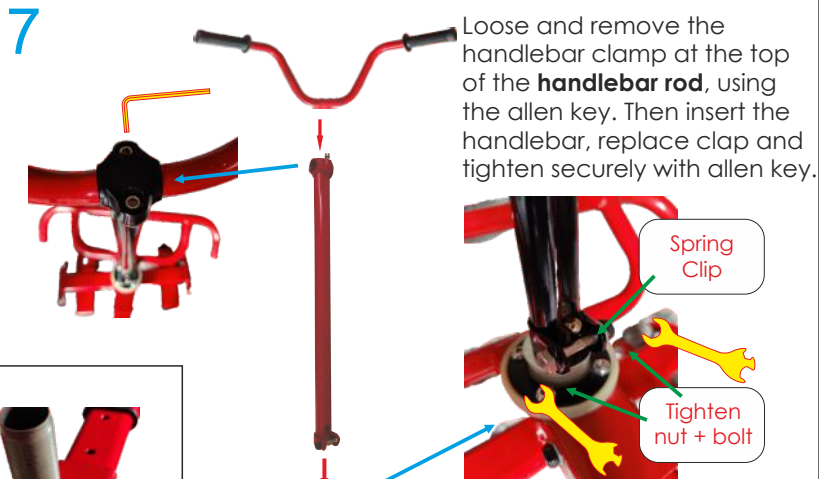
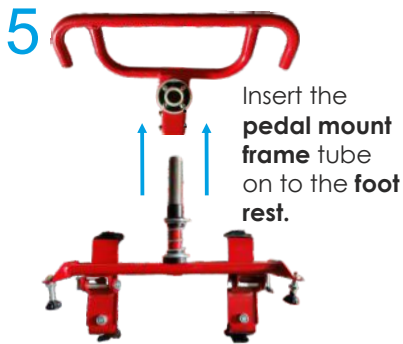
Slide the **frame extension A** into the **extension tube B** then connect the **foot rest C** with pre-installed (x2) nuts + long bolts and tighten with Spanner and Allen key.

4



On the tube of the **pedal mount frame**, add the above accessories in order as shown here.

ASSEMBLING YOUR ZIMX BK2 HOVER BIKE

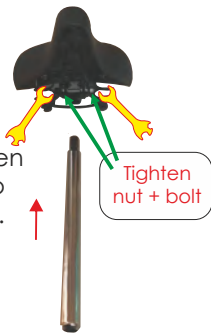


Insert the **handle bar tube** into the tube of the **pedal mount frame**. Make sure the **Spring Clip Head** within the tube of the **pedal mount frame** is showing through, as above. Using the pre-installed nut + bolt tighten with Spanners.

ASSEMBLING YOUR ZIMX BK2 HOVER BIKE

8

Add the **seat** onto the **seat pole** and tighten the seat clamp using spanners.



Then insert the **seat pole** into the **seat frame**.



Securely tighten the **seat pole**, using the pre-installed locking clamp.



Hover Bike is now complete.



Get ready to attach to your self balancing scooter.

INSTALLING YOUR ZIMX BK2 HOVER BIKE

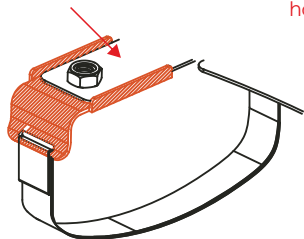
If you have questions or concerns about any of these steps, please feel free to contact our Customer Service Team at www.ukbigbuy.com or www.zimx.uk Someone will be in touch to guide you through these steps.

Carefully follow the steps shown on the following pages for installing the ZIMX BK2 Hover Bike onto your electric scooter. Read the remainder of this manual before riding your ZIMX BK2 Hover Bike.

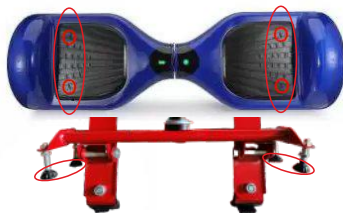
Your ZIMX BK2 Hover Bike should be completely assembled prior to installing it onto your electric scooter. Please refer to the "Assembling your ZIMX BK2 Hover Bike" section for assembling procedures.

- Place the ZIMXBK2 Hover Bike on your self-balancing scooter, and adjust the "adjustable metal brackets" to fit your scooter (if required) then fasten the nut tight, using the wrench/spanner provided.
- Place the pedal mounts onto the foot pedals of your self-balancing scooter. Ensure the pedal mounts are centered on the foot pedals of your scooter as much as possible.

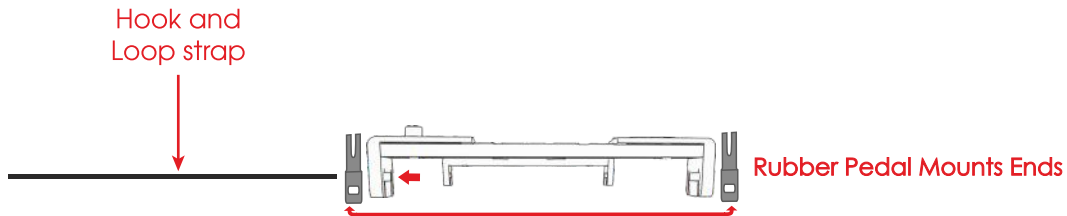
adjustable
pedal mount



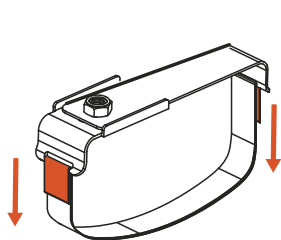
sensor locations of self balancing scooter
where the 4 pressure rubber end bolts on the
hover bike's pedal mount frame will make
contact with



Slide on all the protective rubber pedal mount covers on each end of the pedal mounts. Then using the hook and loop straps, place the hook and loop side of strap downward and then pull each strap end through the holes on back of each pedal mount.



Wrap each hook and loop strap under your self-balancing scooter and pull the loose ends through the holes on front of each pedal mount. Make sure your scooter is secured by tightening and fastening the hook side to the loop side of each strap.



WARNING: Do not over tighten straps when you are assembling your ZIMX BK2 Hover Bike to your scooter. Ensure that the ZIMX BK2 Hover Bike is secure to the scooter when attaching.

Your ZIMX BK2 Hover Bike should be properly installed onto your scooter as shown below.



BEFORE RIDING

WARNING

Any scooter that does not work properly can cause you to lose control and fall. Inspect the entire device thoroughly before every ride, and do not ride it until any problems have been corrected.

ZIMX BK2 HOVER BIKE OPERATION

It is important that you fully understand all elements of your ZIMX BK2 Hover Bike . If these elements are not used correctly, you will not have full control of your ZIMX BK2 Hover Bike. Before you ride fast, or outside of a controlled environment, learn the functions of the various mechanisms on your ZIMX BK2 Hover Bike.

Practice using the elements of your ZIMX BK2 Hover Bike at slower speeds in flat, open area before taking the ZIMX BK2 Hover Bike to unfamiliar areas.

WARNING

Do not ride a ZIMX BK2 Hover Bike with a part that is damaged; replace the damaged part before riding.

PRE-RIDE ZIMX BK2 HOVER BIKE CHECKLIST

Ensure that your ZIMX BK2 Hover Bike and scooter are in proper working order each and every time you ride. If a part of the ZIMX BK2 Hover Bike does not function correctly, please contact our Customer Support Center.

- Ensure your ZIMX BK2 Hover Bike is in perfect working order before riding it.
- Ensure the battery of your scooter is fully charged before riding your ZIMX BK2 Hover Bike.
- Ensure that all the screws and nuts on the ZIMX BK2 Hover Bike are locked firmly before each ride.
- Check to ensure the tyres of your scooter are not worn.
- Check to ensure all connections are maintained on your scooter.

WARNING:

To reduce the risk of injury, adult supervision is required. Never use in roadways, near motor vehicles, on or near steep inclines or steps, swimming pools or other bodies of water; always wear shoes, and never allow more than one rider.

SAFETY PRECAUTIONS

The 1st rule in safe riding is to use common sense. A ZIMX BK2 Hover Bike is vulnerable; it cannot protect you in a crash, against impact, or loss of control the way driving a car can. A ZIMX BK2 Hover Bike can tip over sideways so be very careful. It moves faster than a typical scooter. It does not have bumpers or airbags as a car does. This section is a guide of safe riding practices for operation. Make sure you are using your ZIMX BK2 Hover Bike properly.

Different localities and countries have different laws governing riding in public places, and you should check with local laws to ensure you are complying with them.

ZIMX or UKBIGBUY is not liable for tickets or violations given to riders who do not follow these regulations.

- For your safety, always wear a helmet that meets CPSC or CE safety standards. In the event of an accident, a helmet can protect you from serious injury and in some cases, even death.
- Hover Bikes and Hover boards are not transportation vehicles.
- Do not use on public roads. Obey all local laws.
- If riding with friends and multiple ZIMX BK2 Hover Bikes, ride single in a straight line.
- Ride defensively; expect the unexpected.
- Do not ride too close to other riders and alert them if you intend to pass them from behind.

WARNING!!

It is illegal to ride electric scooters or self balancing scooters on public roads, pavements, or cycle paths. They are intended only for use on private land with the owner's permission.

- Avoid potholes, drainage grates or other hazards.
- Be careful when riding on soft road edges, gravel, sand and uneven surfaces. Ride slowly and avoid quick turns when riding on these surfaces.
- Never hitch onto other vehicles.
- Do not "stunt" ride or race on uneven surfaces.
- Do not weave in and out of traffic or swerve from side to side.
- A crash can put extraordinary stress on ZIMX BK2 Hover Bike components, possibly causing them to fatigue prematurely. Components suffering from stress fatigue can fail suddenly, causing loss of control or serious injury.

CAUTION: RIDING IN WET WEATHER

Brakes do not work as well under wet conditions as they do when dry. It is recommended that you **do not** ride your ZIMX BK2 Hover Bike in wet weather, as there are electronic components in your scooter that may be damaged if exposed to water.

1. This product is strictly forbidden to use on roads, pavements, cycle paths, motorways. You must wear a safety helmet, knee and elbow pads and other necessary protective gear when riding your ZIMX BK2 Hover Bike
2. Due to the particularity of the product, the assembly pieces are to be checked before every ride to avoid an accident while riding.
3. Do not make a sharp turns as you may drift and overturn the ZIMX BK2 Hover Bike which can result in injury to yourself and/or damage the unit.

 **WARNING:**

To reduce the risk of injury, adult supervision is required. Never use in roadways, near motor vehicles, on or near steep inclines or steps, swimming pools or other bodies of water; always wear shoes, and never allow more than one rider.

RIDING YOUR ZIMX BK2 HOVER BIKE

Ensure your ZIMX BK2 Hover Bike is fully assembled and correctly installed onto your scooter with all straps and bolts / screws and nuts secured in place. Ensure your scooter is properly maintained as well. Failure to do so may result in serious bodily harm or death and damage to the unit.

After reviewing the pre-ride checklist, follow the steps below to begin riding your ZIMX BK2 Hover Bike.

1. Turn on your scooter.
2. Sit comfortably in the ZIMX BK2 Hover Bike seat.
2. Place your feet onto the foot rest, and keep them there at all times when riding.
3. Firmly grip handle bars and slowly push it forward to move forward.
4. When riding, slowly pull handle bar backwards to brake.
5. To reverse, slowly pull handle bar backwards.
6. To turn left, turn the handle bar left, as you would do when riding a bike.
7. To turn right, turn the handle bar right, as you would do when riding a bike.

WARRANTY / CUSTOMER SERVICE

ZIMX Limited Warranty

The manufacturer warrants this product to be free of manufacturing defects for a period of 12 months from date of purchase. This Limited Warranty does not cover normal wear and tear, or any damage, failure or loss caused by improper assembly, maintenance, or storage.

This Limited Warranty will be void if the product is ever:

- used in a manner other than for recreation;
- modified in any way;
- rented.

The manufacturer is not liable for incidental or consequential loss or damage due directly or indirectly to the use of this product.

ZIMX does not offer an extended warranty. If you have purchased an extended warranty, it must be honoured by the store / website at which it was purchased from.

For your records, save your original sales receipt with this manual and write your order number and purchase date on it.

Customer Service Contact Information

Need Help? Visit our website(s) for product support, customer service information at;

www.ukbigbuy.com or www.zimx.uk

UNITED KINGDOM

New Age Group
T/A UKBIGBUY.COM & ZIMX.UK
B16 0HG, United Kingdom

Tel : +44 (0)121 454 7589
Email : info@ukbigbuy.com
Email : info@zimx.uk

Printed in China for UKBIGBUY.COM

Copyright 2010-2022 UKBIGBUY.COM All rights reserved. ZIMX, the ZIMX logo design, and X logo design are among the registered trademarks of NEW AGE GROUP in the United Kingdom and / or select foreign countries.

UK_220315BR

ZIMX[™]
HOVERBOARDS
WITH ATTITUDE



www.ukbigbuy.com
www.zimx.uk



@ukbigbuy



@ukbigbuy



@ukbigbuy

UKBIGBUY.com

Saving you money every day